



K Circular Duct Fans

High Quality radial fan for circular ducts

- Available with AC and EC motors
- Indoor and outdoor installation
- Reliable and airtight
- Mounting bracket included
- Noise and energy optimized impeller

[Find more details in our online catalogue.](#)

Flexibility

The K fans are intended to use for **supply** or **extract** air, designed to be installed in **any position**. This ensures that the fans can be used in a variety of **commercial** and **domestic** applications.

Reliability

The unit's **airtight casing** and corrosion resistance permits **outdoor** and **indoor** use. The combination of reliable casing and motor construction ensures, to minimize the need for maintenance of the fans and allows long **continuous operation**.

Performance

Sound optimized radial impeller together with **high efficient** external rotor motor are designed to ensure high-level performance to **minimize power consumption** and **maximize efficiency**.

Accessories

K fans can be selected together with variety types of **accessories** as fast clamps, heaters, filters, dampers, etc.

Certifications



Ecodesign (ErP) compliant

Features

Construction

Casing made of **galvanised sheet steel**, corrosion **class C3** is fully **air tight class C** according to EN1751. The fans are equipped with an external **terminal box with** protection class **IP55**.

Impeller

K fans use backward curved **radial** impellers. These are from lightweight, hard-wearing fiberglass reinforced **polyamide**, dynamically **balanced** and paired with corresponding external rotor motors.

Motor

Depending on type, K fans are equipped with **AC** or high efficient **EC** external rotor motors. All motors are suitable for **50Hz** and **60Hz**.

Motor protection

Fans with **AC** motors have **integrated** thermal protection with manual (electrical) reset. Size 100 and 125 has an impedance motor protection.

Fans with **EC** motors have an **integrated** electronic **thermal protection** including **locked-rotor protection** and **soft-start**.

Control

EC motor with **built-in potentiometer** to adjust working point can be also controlled by external **signal 0-10V**.

AC motor can be controlled by **5-step** or **stepless** speed regulator.

Installation

K fans can be installed in **any** position **indoor** and **outdoor** by included **mounting brackets**. All models have a spigot with 25 mm length which is perfectly designed to connect circular duct by **fast clamps preventing vibration** to the duct. Installation can be combined with filter boxes, sound attenuators, and other mechanical accessories from recommended list.

Technical parameters

Nominal data

Voltage (nominal)	230	V
Frequency	50	Hz
Phases	1~	
Input power	155	W
Input current	0.682	A
Impeller speed	2,638	rpm
Air flow	max 271	L/s
Capacitance of capacitor	3.5	µF
Temperature of transported air	max 70	°C
Max temperature of transported air, when speed controlled	70	°C

Sound data

Sound pressure level at 3m (20m ² Sabin)	48	dB(A)
---	----	-------

Protection/Classification

Enclosure class, motor	IP44
Insulation class	F

Data according to ErP

ErP ready	ErP 2016; ErP 2018
-----------	--------------------

Dimensions and weights

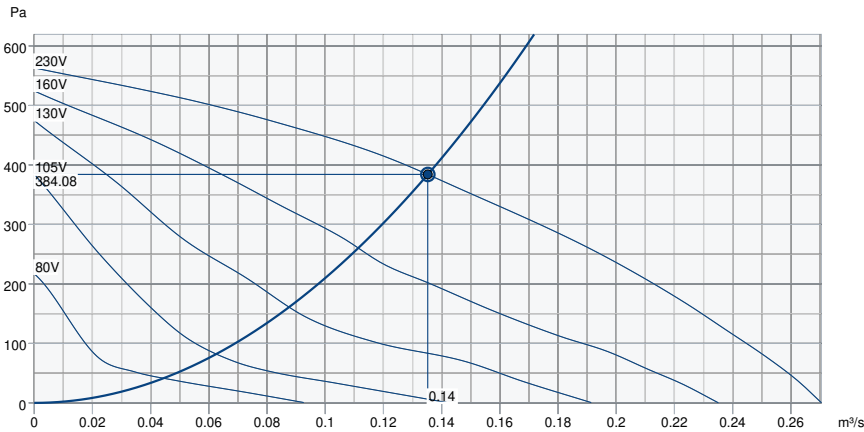
Duct dimension; Circular, inlet	200	mm
Duct dimension; Circular, outlet	200	mm
Weight	4.8	kg

Others

Duct connection type	Circular
Motor type	AC

Performance

Performance curve



Hydraulic data

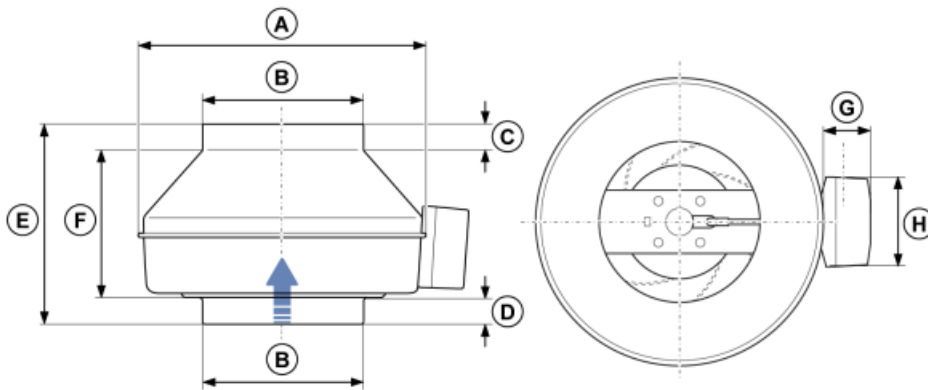
Required air flow	0.14 m³/s
Required static pressure	384 Pa
Working air flow	0.14 m³/s
Working static pressure	384 Pa
Air density	1.204 kg/m³
Power	147.0 W
Fan control - RPM	2,668 rpm
Current	0.65 A
SFP	1.087 kW/m³/s
Control voltage	230.0 V
Supply voltage	230 V

Sound power level		63	125	250	500	1k	2k	4k	8k	Total
Inlet	dB(A)	56	62	66	63	63	60	53	47	71
Outlet	dB(A)	54	57	62	62	61	60	53	45	68
Surrounding	dB(A)	25	26	39	41	45	43	37	29	49
Sound pressure level at 3m (20m² Sabine)	dB(A)	-	-	-	-	-	-	-	-	42
Sound pressure level at 3m free field	dB(A)	-	-	-	-	-	-	-	-	28

Ecodesign

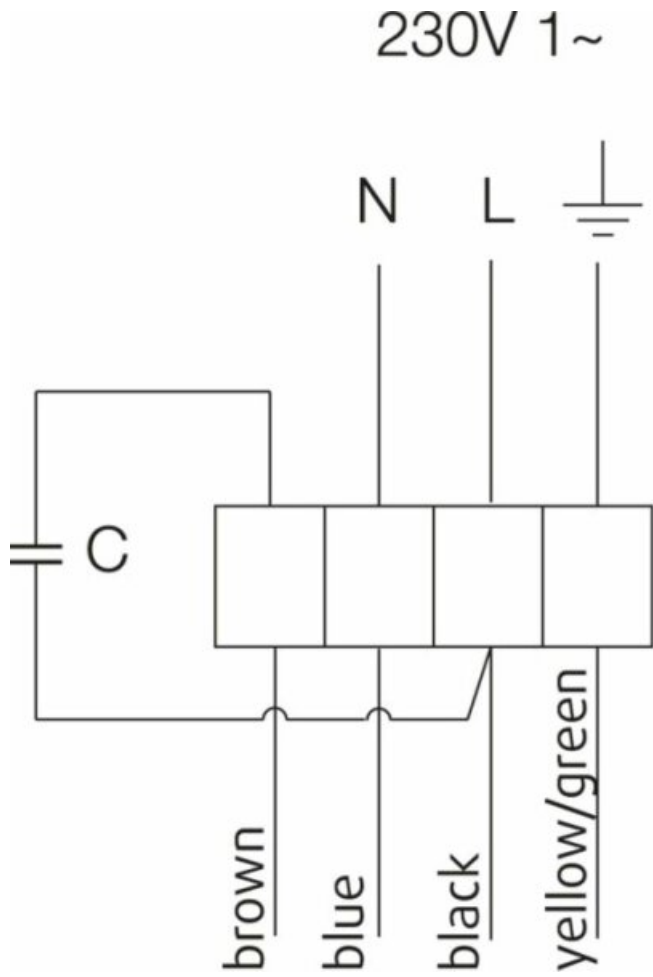
Product	
Trade name	Systemair
Product name	K 200 L Sileo
Ecodesign	
ErP compliance	2018
Unit category	NRVU
Drive	External MSD or VSD
Unit type	UVU
Heat recovery type	None
Temperature ratio (UVU)	Not applicable
qv nom	0.135 m ³ /s
P nom	0.147 kW
Ps nom	384 Pa
Fan efficiency	35.3 %
External Leakage	0 %
Sound power (LWA)	49 dB(A)

Dimension



ØA	ØB	C	D	E	F	G	H
336	199	27	30	231	174	40	88

Wiring



Accessories

- Frequency converter FRQ5SE-6A (37421)
- REE 1 Speed control (5314)
- RETP 6 Temp/Pressure regulator (32293)
- REV-3POL/03-7,5kW R/Y (33978)
- VKK-200 Back draft damper (1626)
- DTV500A (96807)
- HR1 Room Humidistat (215150)
- Presence detector/IR24-P (6995)
- Safety switch 2-pole grey (210679)
- VBF 200 Water heating battery (1732)
- CB 200-3,0 230V/1 Duct heater (5370)
- CB 200-5,0 400V/2 Duct heater (5371)
- CBMF 200-3,0 230V/1 Duct heater (12245)
- CWK 200-3-2,5 Duct cooler,circ (30023)
- FGR 200 Filter cassette (1812)
- LDC 200-300 Silencer (53369)
- LDC 200-900 Silencer (5195)
- VBC 200-2 Water heating batt (5459)
- VK-20 Louvre shutter (5639)
- RE 1,5 Speed control (5000)
- REPT 6 Digital regulator (5698)
- REU 1.5 Speed control (5004)
- SG 200 Protection guard (5609)
- CO2RT-R-D Transmitter (6993)
- Frequency converter FRQSE-6A (37419)
- IGK-200 Wall Grid (1633)
- RT 0-30 Room Thermostat (5151)
- T 120 Timer (5165)
- CB 200-2,1 230V/1 Duct heater (5384)
- CB 200-3,0 400V/2 Duct heater (5294)
- CBM 200-5,0 400V/2 Duct heater (5483)
- CBMF 200-5,0 400V/2 Duct heater (12246)
- FFR 200 Filter cassette (1773)
- FK 200 Fast clamp (1611)
- LDC 200-600 Silencer (5194)
- RSK-200 Back draft damper (5602)
- VBC 200-3 Water heating batt (9841)

Documents

- [INSTALLATION__OPERATION_AND_MAINTENANCE_INSTRUCTION_K__KV__PRIO__EN_009.PDF](#)
- [COMMISSIONING_RECORD_FANS__EN.PDF](#)
- [K fan mounting.wmv](#)